

RS 3040 CL

For Stalam 40 kW RF Dryer
Forced Air Cooled Triode

- Output Power: 60 kW (CW mode)
- Anode voltage: 14 kV
- Anode dissipation: 25 kW
- Frequency up to 100 MHz

Manufactured in India, in a world-class facility equipped with high quality machinery, materials and components sourced from reputed suppliers in America, Europe and Japan.

Fifty-two weeks warranty on pro rata basis against manufacturing defects irrespective of the number of hours of operation.



Pilani Electron Tubes & Devices Pvt. Ltd.

Patiala Road, Sangrur, PB, 148001, India

Phone: +91-9815309603 Email: sales@pilanielectron.com

Website: www.pilanielectron.com

Version 1.3, February 2018

RS3040CL

The RS3040CL is a RF power triode designed for dielectric heating applications. This tube uses a coaxial design and metal-ceramic technology. This triode may be operated in CW or pulse modes. For operation in pulse mode, the parameters depend on each equipment characteristics. Contact us for specific information. The RS3040CL is a forced air cooled triode.

Electrical characteristics

Cathode Filament	thoriated tungsten
Filament voltage	8 V
Filament current	185 A
Heater surge current (maximum)	560 A
Amplification factor	20
Capacitances:						
• Grid to Anode	29 pF
• Grid to Cathode	78 pF
• Cathode to Anode (see note 2)	2 pF

Mechanical characteristics

Operating position	vertical
Weight	13 kg (28.7 lbs) approx.
Dimensions	see outline diagram

Cooling (air-cooling)

Typical air temperature at tube inlet	25 °C
Minimum air flow cooling (for Pa=25 kW)	21 m ³ / min
Corresponding air pressure drop	11 mbar
Maximum temperature at any point on the tube envelop	220 °C

Maximum ratings

Frequency	100 MHz
Anode voltage:						
• Up to 30 MHz	14 kV
• From 30 to 50 MHz	10 kV
• From 50 to 100 MHz.	7.5 kV
Control grid voltage	-1500 V
Control grid current:						
• At full load up to 30 MHz	1.6 A
• At off load up to 30 MHz	1.9 A
Peak cathode current	45 A
Anode dissipation	25 kW
Grid dissipation:						
• Up to 30 MHz	820 W
• From 30 to 50 MHz	700 W
• From 50 to 100 MHz.	600 W
Grid resistance	12 KΩ

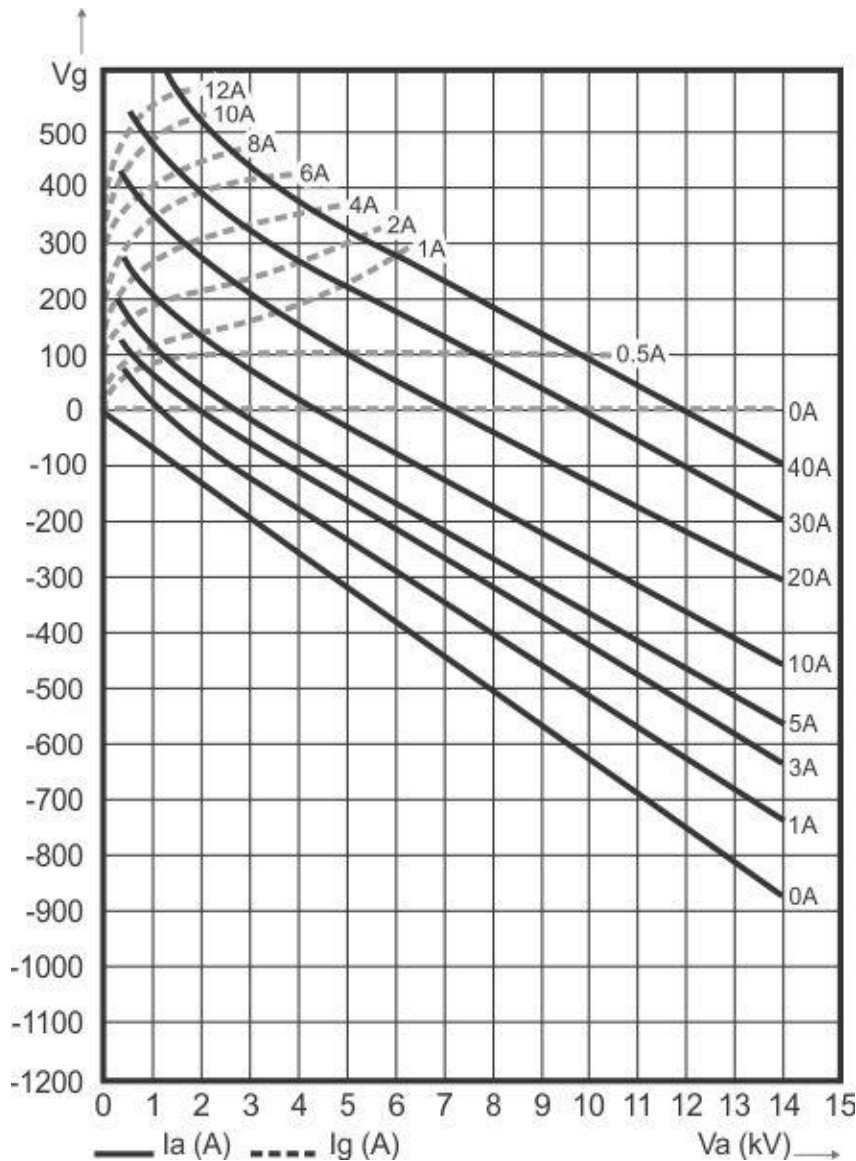


Class C RF oscillator for industrial applications

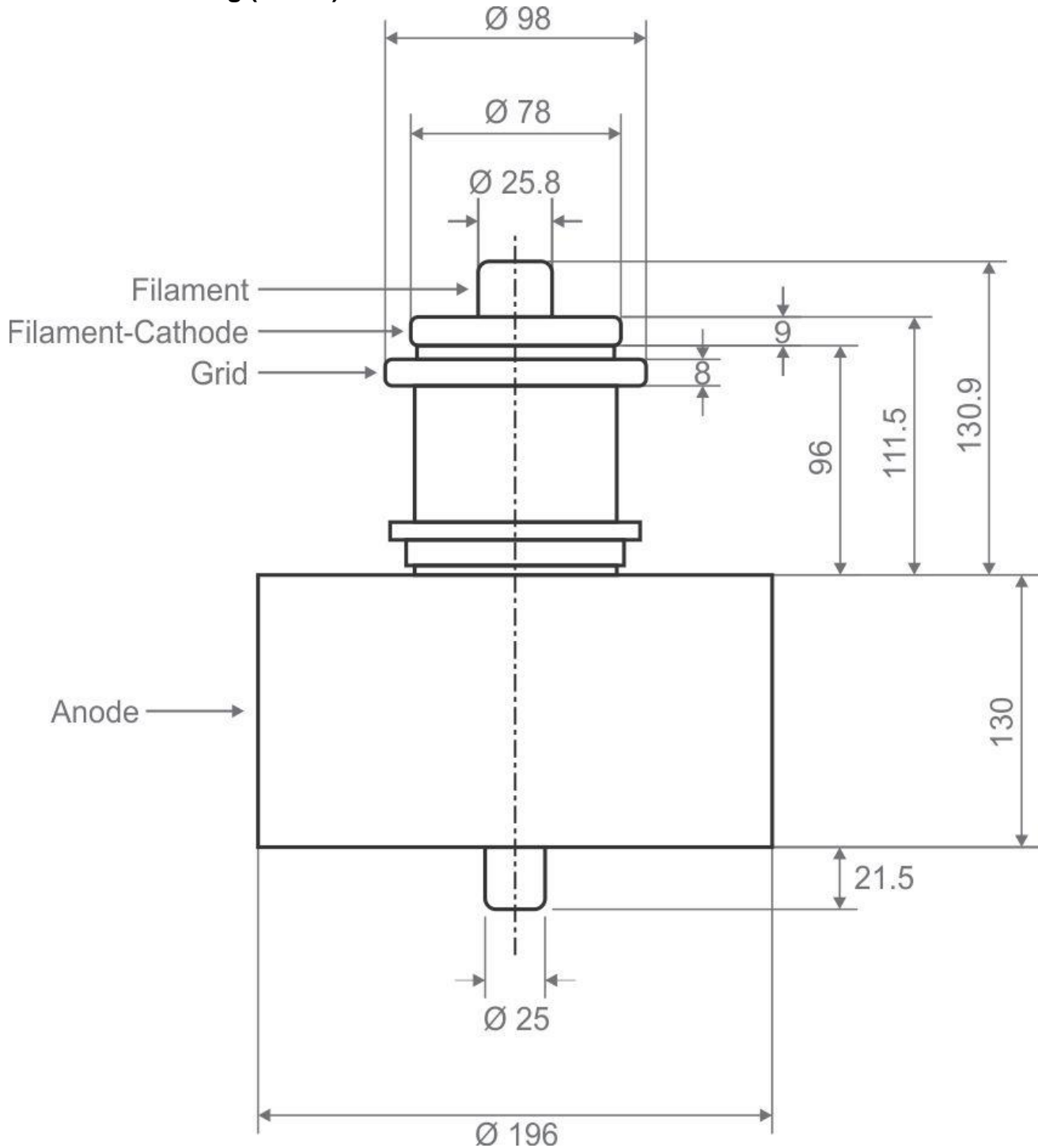
Frequency	<30	<30	MHz
Anode voltage	12	12	kV
Anode current	6.3	5.2	A
Anode input power	76	62.4	kW
Anode output power	60	50	kW
Anode dissipation	14	11	kW
Grid current, on load	1.2	1	A
Grid dissipation	470	350	W
Grid resistance	920	1000	Ω
Feedback ratio	14.5	12.7	%
Oscillator efficiency	79	80	%

Operations at higher frequencies available upon request

Constant current characteristics



Outline drawing (in mm)



This document cannot be considered to be a contractual specification. The information given herein may be modified without notice due to product improvement or further development. Consult Pilani Electron Tubes and Devices before making use of this information for equipment design.