

STT5085W

For Stalam 85 kW RF Dryer

Water Cooled Triode
For Industrial RF Heating

- Output Power: 120 kW (CW mode)
- Anode voltage: 14 kV
- Anode dissipation: 40 kW
- Frequency up to 100 MHz

One Year warranty on pro rata basis against manufacturing defects irrespective of the number of hours of operation.

Manufactured in India, in a world-class production site equipped with high quality machinery, materials and components sourced from reputed suppliers in America, Europe and Japan.



STT5085W

The STT5085W is a RF power triode designed for dielectric heating applications such as textile, food and paper drying. This tube uses a coaxial design and metal-ceramic technology. This triode may be operated in CW or pulse modes. Parameters for operation in pulse mode depend on each equipment characteristics. Contact us for specific information. STT5085W is a water cooled triode.

Electrical characteristics

Cathode Filament	thoriated tungsten
Filament voltage	10 V
Filament current	190 A
Surge current (maximum)	600 A
Capacitances:						
• Grid to Anode	46 pF
• Grid to Cathode	95 pF
• Cathode to Anode (see note 2)	2.6 pF
Amplification factor	22

Mechanical characteristics

Operating position	vertical
Weight	7.5 kg (16.5 lbs) approx.
Dimensions	185 x 375 mm

Cooling Characteristics (Industrial Water)

Temperature at tube outlet	50 °C max.
Cooling water inlet pressure	10 bar min.
Maximum temperature at any point on tube envelope	220 °C max.
Minimum Air flow on filament connections	2 m ³ / min

Maximum ratings

Frequency	30 MHz
Anode voltage:						
• Up to 15 MHz	14 kV
• From 15 to 30 MHz	10 kV
Control grid voltage	-1500 V
Control grid current:						
• At full load up to 15 MHz	2.2 A
• At off load up to 15 MHz	2.8 A
• At full load from 15 to 30 MHz	2.1 A
• At off load from 15 to 30 MHz	2.7 A
Cathode current.	15 A
Anode dissipation	40 kW
Grid dissipation:						
• Up to 15 MHz	1200 W
• From 15 to 30 MHz	1100 W
Grid resistance	8 K Ω

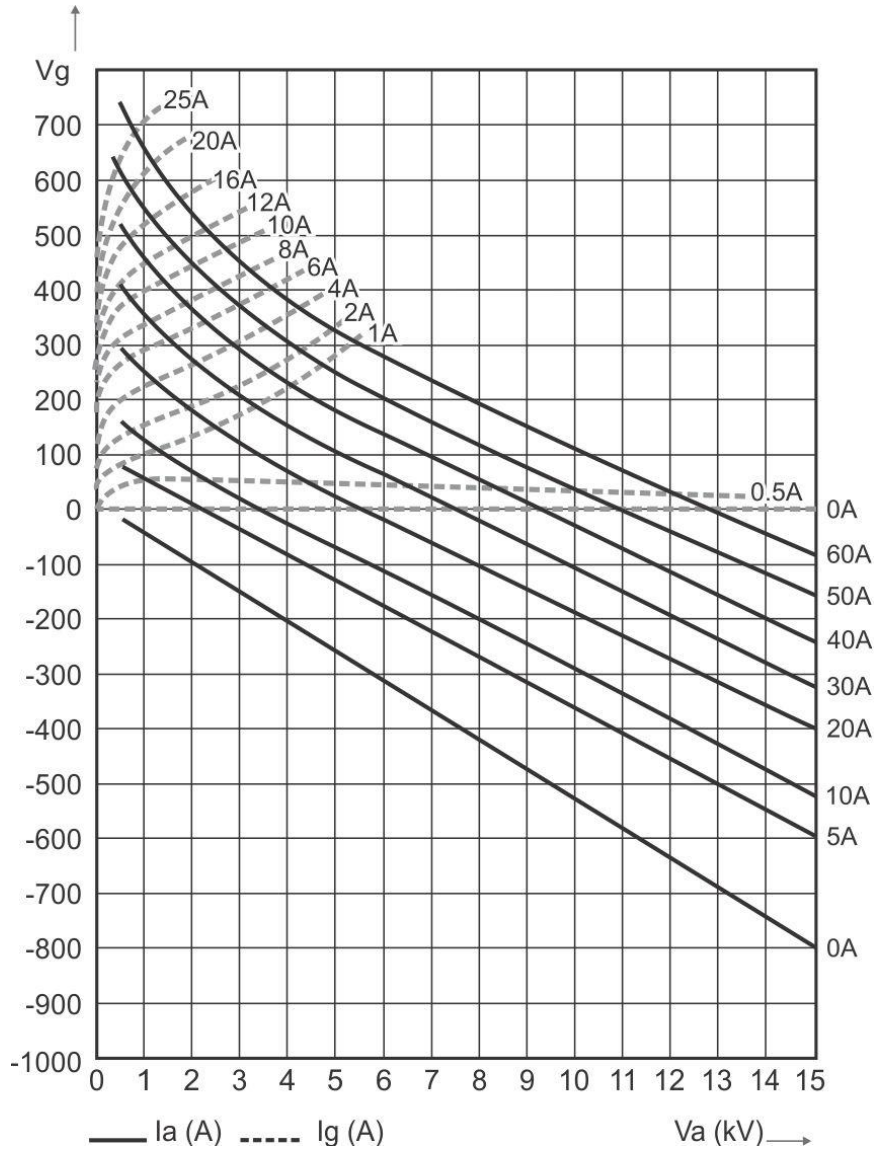


Class C RF oscillator for industrial applications

Frequency	<15	<15	MHz
Anode voltage	13	12	kV
Anode current	12.1	10.7	A
Anode input power	157	128	kW
Anode output power	120	100	kW
Anode dissipation	35	26	kW
Grid current, on load	1.75	1.75	A
Grid dissipation	750	730	W
Grid resistance	540	540	Ω
Feedback ratio	12.5	13.4	%
Oscillator efficiency	76	78	%

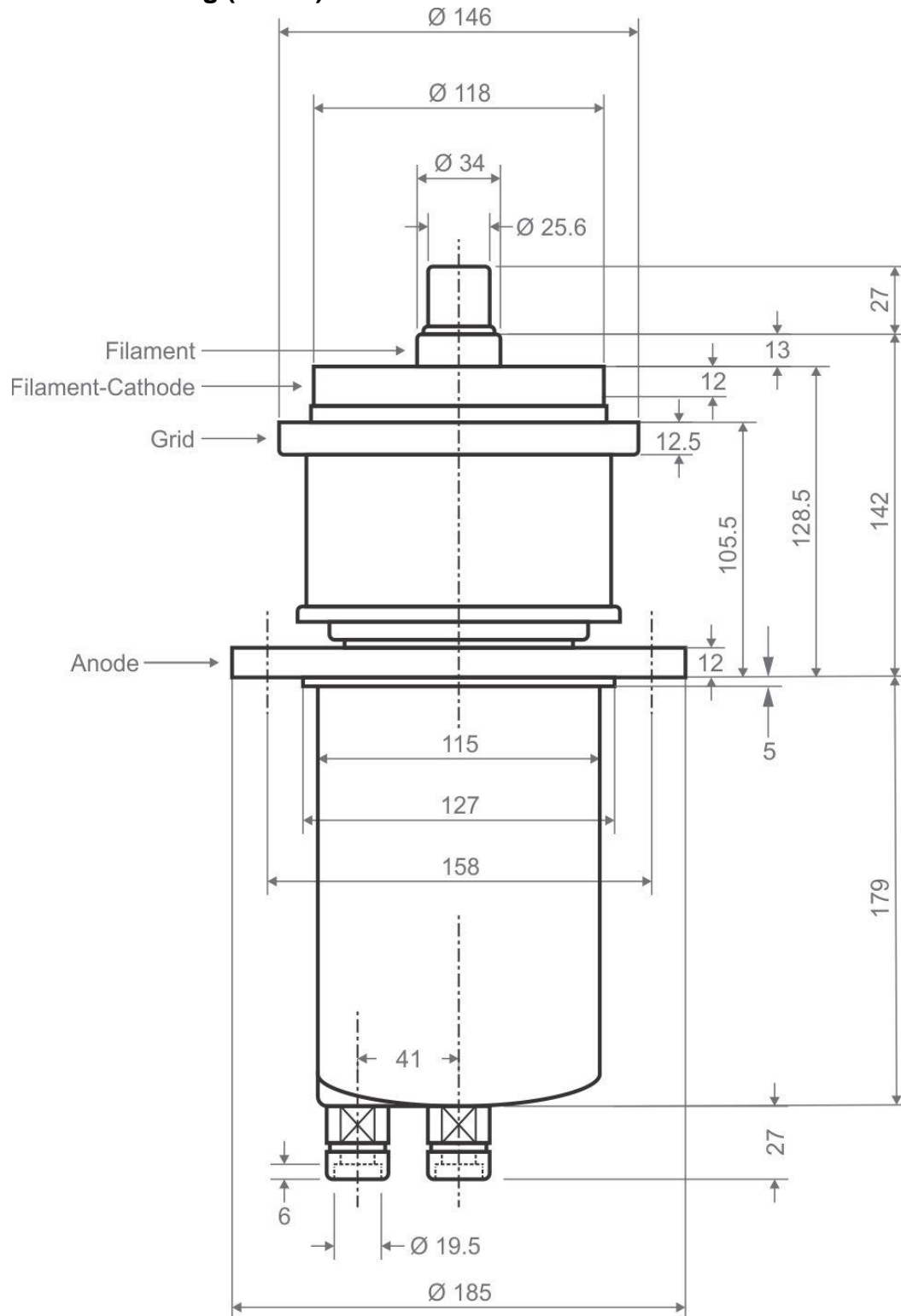
Operations at higher frequencies available upon request

Constant current characteristics of STT5085W



STT5085W

Outline drawing (in mm)



This document cannot be considered to be a contractual specification. The information given herein may be modified without notice due to product improvement or further development. Consult Pilani Electron Tubes and Devices before making use of this information for equipment design.