

STT90105W

Water Cooled Triode
For Stalam 105KW RF Dryer

- Output Power: 130 kW (CW mode)
- Anode voltage: 14 kV
- Anode dissipation: 60 kW max.
- Frequency up to 100 MHz

Manufactured in India, in a world-class facility equipped with high quality machinery, materials and components sourced from reputed suppliers in America, Europe and Japan.

One Year warranty against manufacturing defects irrespective of the number of hours of operation.



STT90105W

The STT90105W is a RF power triode designed for dielectric heating applications. This tube uses a coaxial design and metal-ceramic technology. This triode may be operated in CW or pulse modes. For operation in pulse mode, the parameters depend on each equipment characteristics. Contact us for specific information. The STT90105W is a water cooled triode.

Electrical characteristics

Cathode Filament	thoriated tungsten
Filament voltage (+ 5 %, - 10 %).	11 V
Filament current	205 A
Surge current (maximum)	615 A
Capacitances:						
• Grid to Anode	46 pF
• Grid to Cathode	106 pF
• Cathode to Anode (see note 2)	3 pF
Amplification factor	19
Transconductance (Va: 4 kV, Ia: 3 A)	60 mA/V approx.

Mechanical characteristics

Operating position	vertical anode up or down
Weight	8 kg (17.6 lbs) approx.
Dimensions	see ourline drawing

Maximum ratings

Frequency	30 MHz
Anode voltage	14 kV
Control grid voltage	-1.5 kV
Cathode current:						
• on load, CW	2.3 A
• off load, CW	2.6 A
Peak cathode current, CW	85 A
Anode dissipation	60 kW
Grid dissipation	1.25 kW
Grid resistance (at blocked tube).	8 K Ω

Typical Operation (Class C RF oscillator for industrial applications)

Frequency	< 30 MHz
Anode voltage	12 kV
Control grid bias	- 1055 V
RF Control grid voltage	1555 V
Anode current	12.7 A
Control grid current	2.2 A
Anode input power	151.9 kW
Anode output power	106 kW
Anode dissipation	35 kW
Control grid dissipation	942 W
Grid resistance	485 Ω
Feedback ratio	14.8 %
Oscillator efficiency	74.9 %

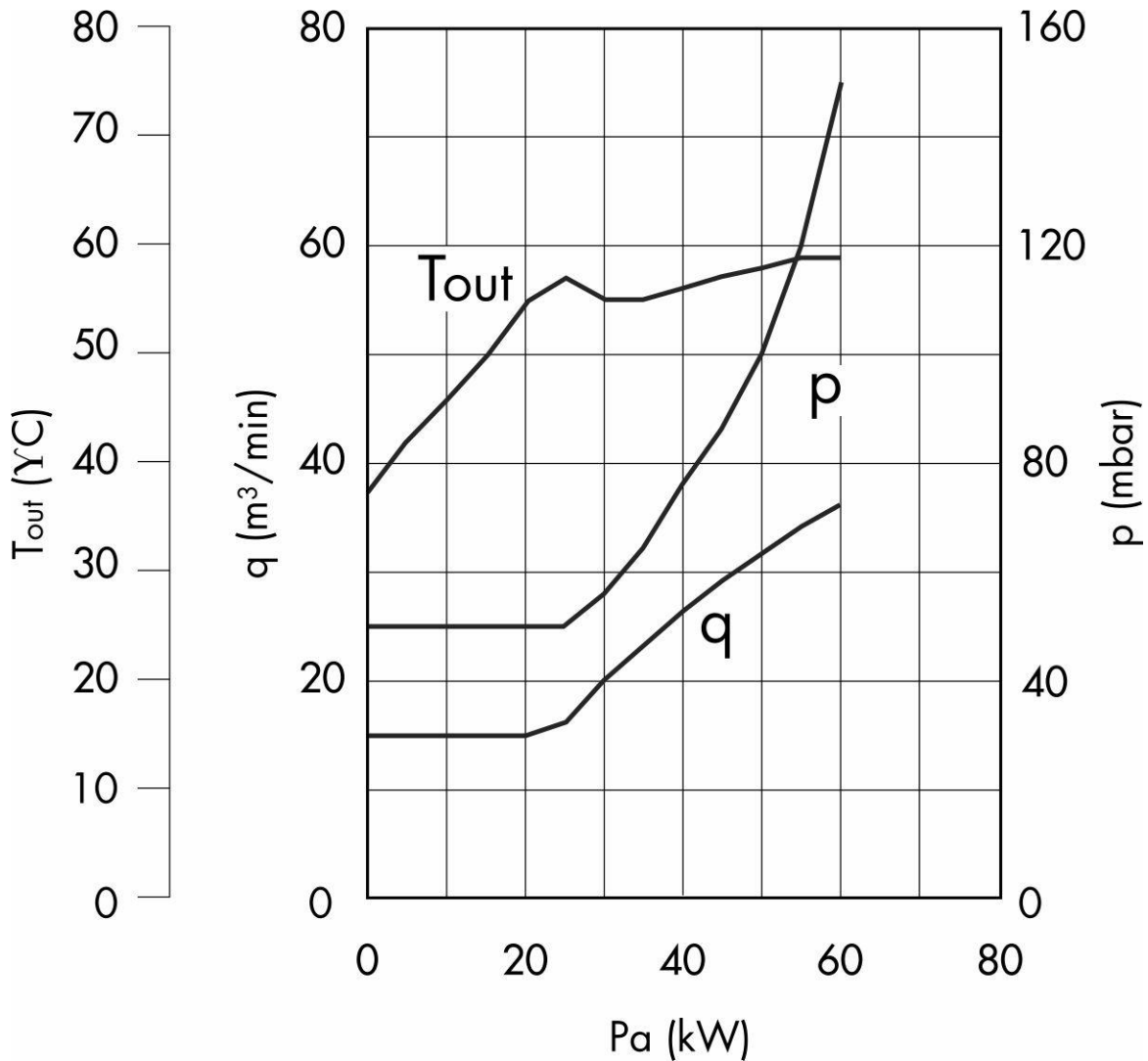
Operations at higher frequencies available upon request

Cooling

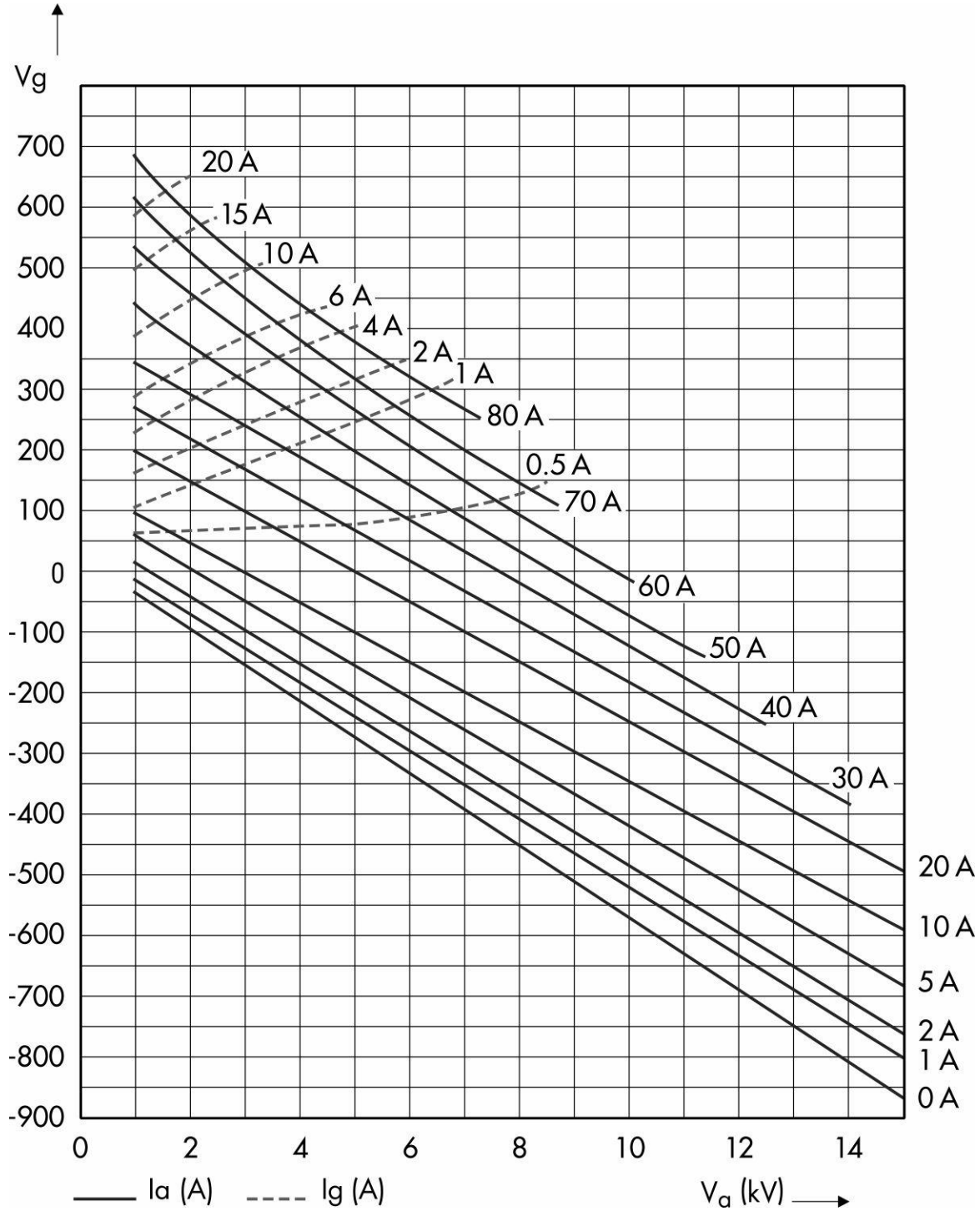
Anode cooling	Water
Cooling water flow and pressure gradient	see cooling curves
Cooling water inlet pressure	5 bar max
Water inlet temperature	35 °C max
Temperature at any point on tube envelope	220 °C max.
Air flow on tube terminal side	3 m ³ /min

Cooling Curves

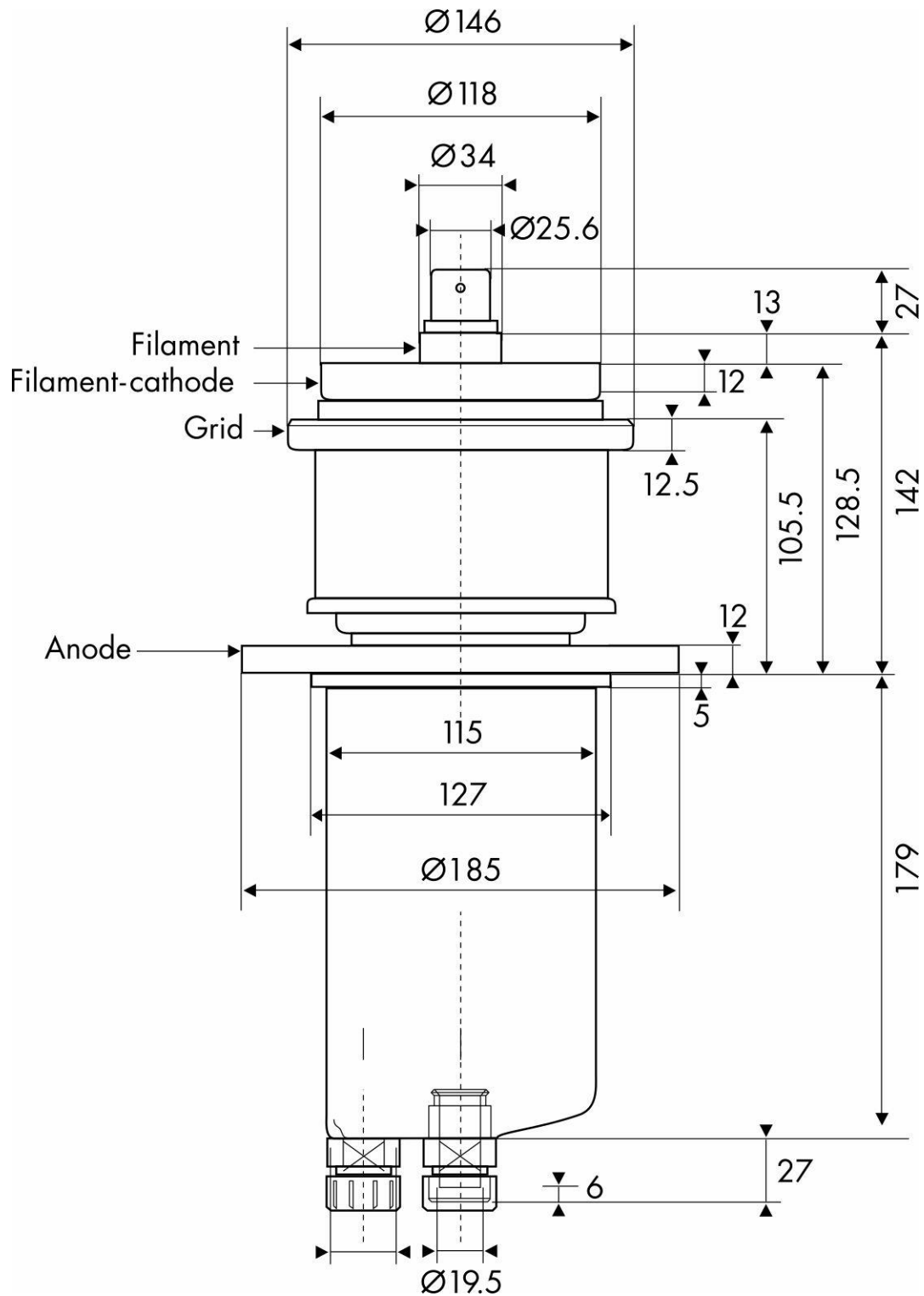
Pa : anode dissipation Δp : pressure drop
 q : water flow rate Tout : water outlet temperature



Constant Current Characteristics



Outline Drawing (in mm)



This document cannot be considered to be a contractual specification. The information given herein may be modified without notice due to product improvement or further development. Consult Pilani Electron Tubes and Devices before making use of this information for equipment design.